

# HMA 71 T4 (A2:6) 2,2kW 27,5°

## GENERAL DATA



LONG CASE VARIABLE PITCHBLADES

MANUFACTURING FEATURES:

- Reinforced fan casing manufactured in rolling steel sheet.
- Motor-impeller modular assembly for complete versatility.
- Polyester powder finishing coat.
- Standard asynchronous squirrel-cage motor with IP-55 protection and Class F insulation. Manufactured with standard voltages: 230V 60Hz in single phase motors and 230/400V 60Hz in three phase motors up to 4kW and 400/690V 60Hz for higher powers.
- HM: Polypropylene impeller (A2 profile) or polyamide impeller reinforced with fibreglass (other profiles) with variable pitch angle
- HMA: Cast aluminium impeller with variable pitch angle.

APPLICATIONS:

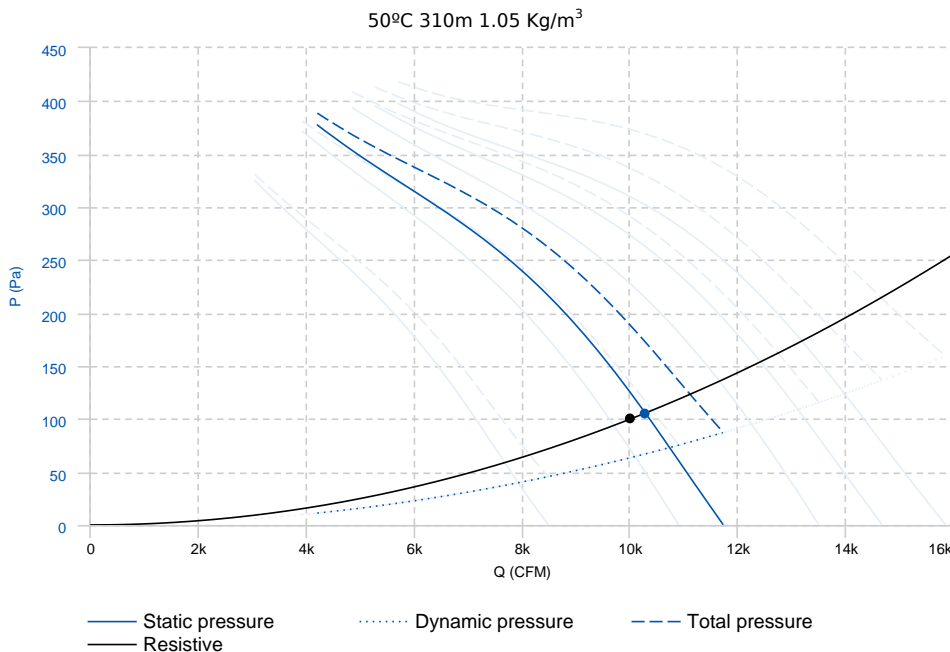
Designed for inline installation, they are suitable for:

- Air renewal in buildings and industries.
- Smoke extraction (max 50-60°C).
- Maximum working temperature: 1ph 50°C, 3ph 60°C.

UNDER REQUEST:

- 100% reversible impeller.
- 50Hz fans and special voltages.
- Hot-dipped galvanised or stainless steel housing.

## PERFORMANCE CURVE



Design point	
Flow (CFM)	10000
Pressure (Pa)	100
Service point	
Angle	27
T.max (°C)	60
Q (CFM)	10274.48
Ps (Pa)	105.57
Pd (Pa)	76.57
Pt (Pa)	182.14
Speed (m/s)	12.08
Security coefficient	1.38
Fan total efficiency	56.281
Mechanical total efficiency	63.44
Pabs (kW)	2.06
Pwmec (kW) 1.05 Kg/m <sup>3</sup>	1.4
Pwmec (kW) 1.2 Kg/m <sup>3</sup>	1.6
Precom (kW)	2,2

## TECHNICAL DATA

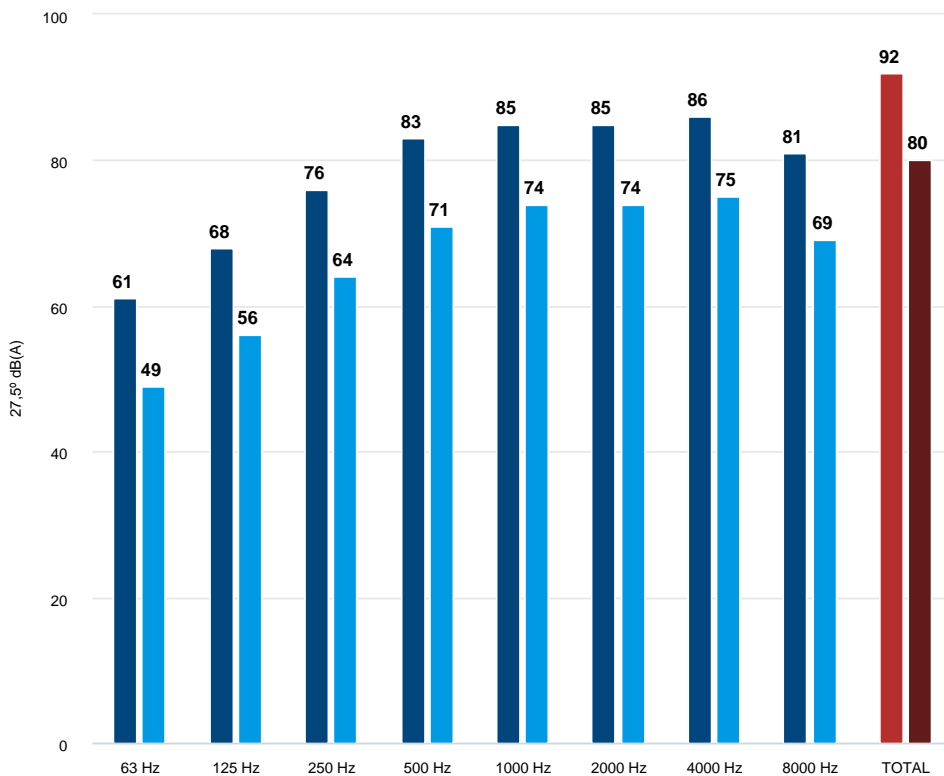
### Fan

RPM	Approx. weight	72 kg	Max. Flow	19664.39 CFM
-----	----------------	-------	-----------	--------------

### Motor

Power	2,2 kW	RPM	1680	I max. (230V)	8,07 A	I max. (400V)	4,64 A
Size	100L	Approx. weight	34 kg	Efficiency (%)	89.7 %	FP	0.81

## ACOUSTIC DATA



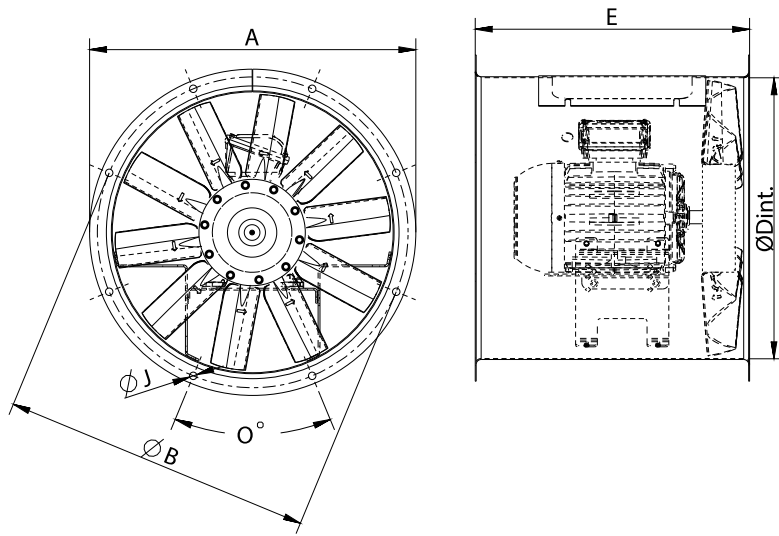
### Sound power

63 Hz	61
125 Hz	68
250 Hz	76
500 Hz	83
1000 Hz	85
2000 Hz	85
4000 Hz	86
8000 Hz	81
TOTAL	92

### Sound pressure 1.5m (in)

63 Hz	49
125 Hz	56
250 Hz	64
500 Hz	71
1000 Hz	74
2000 Hz	74
4000 Hz	75
8000 Hz	69
TOTAL	80

## DIMENSIONS

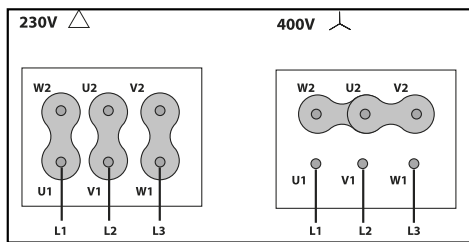


Dimensions (mm)

E	600	O	16x22,5 <sup>ø</sup>	ØA	802	ØB	770	ØDint	715
ØJ	12								

## WIRING DIAGRAM

230/400V



400/690V

