

BT2 200

GENERAL DATA



CENTRIFUGAL IN LINE FAN WITH EXTERNAL ROTOR MOTOR

MANUFACTURING FEATURES

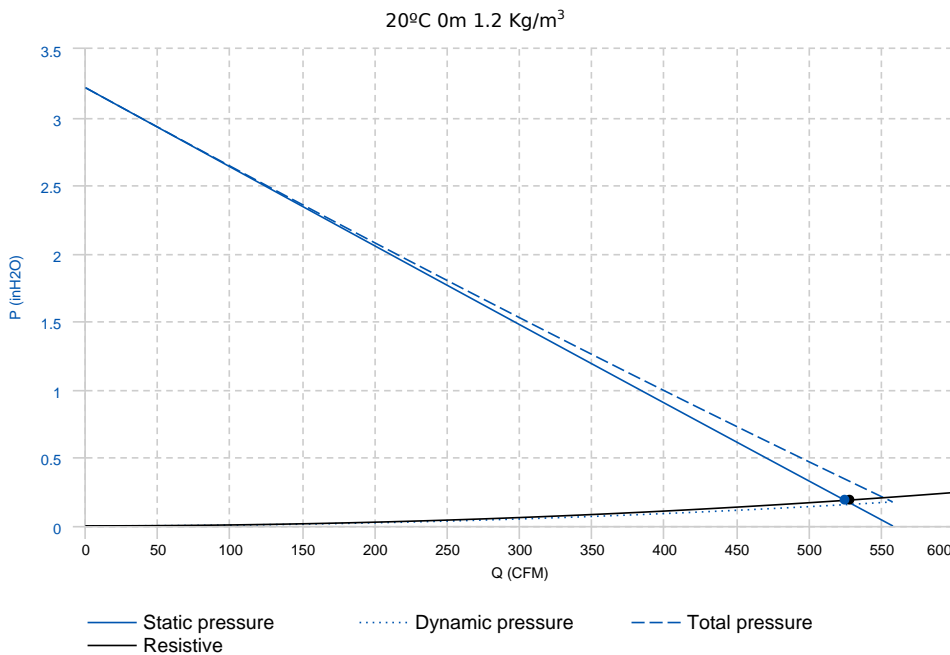
- Coated sheet housing.
- Impeller made of galvanized sheet (model sizes 160 to 315) or plastic ABS (model sizes 100 to 150).
- External wiring box.
- Asynchronous external rotor, with thermal protector and ball bearing permanently greased included. IP-44 protection and class F insulation according to DIN 40.050 h1. Standard voltage 230V 60Hz.

APPLICATIONS

Designed for inline installation, they are suitable for:

- Air renewal in bathrooms and small closed environments.
- Maximum working temperature in continuous: 50°C.

PERFORMANCE CURVE



Design point	
Flow (CFM)	528.48
Pressure (inH2O)	0.19
Service point	
T.max (°C)	55
Q (CFM)	524.54
Ps (inH2O)	0.19
Pd (inH2O)	0.16
Pt (inH2O)	0.34
Speed (m/s)	8.04
Pabs (kW)	0.3

TECHNICAL DATA

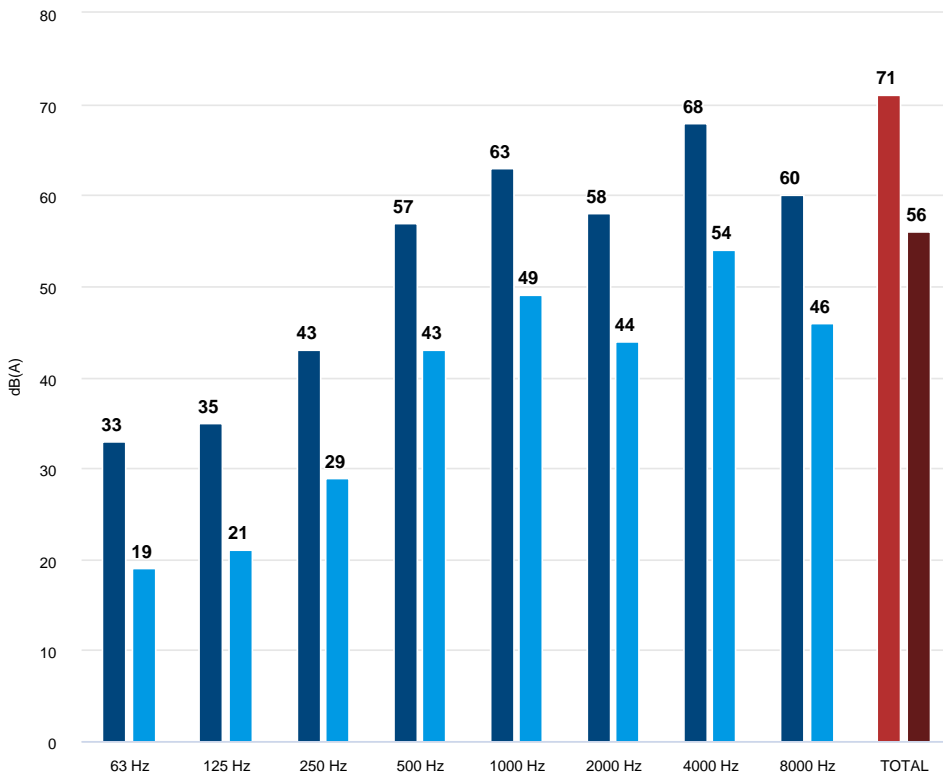
Fan

RPM	2280	Approx. weight	5.7 kg	Max. Flow	559.15 CFM
-----	------	----------------	--------	-----------	------------

Motor

Power	0,212 kW	RPM	2280	Capacitor	5mF	I max. (230V)	0,94 A
-------	----------	-----	------	-----------	-----	---------------	--------

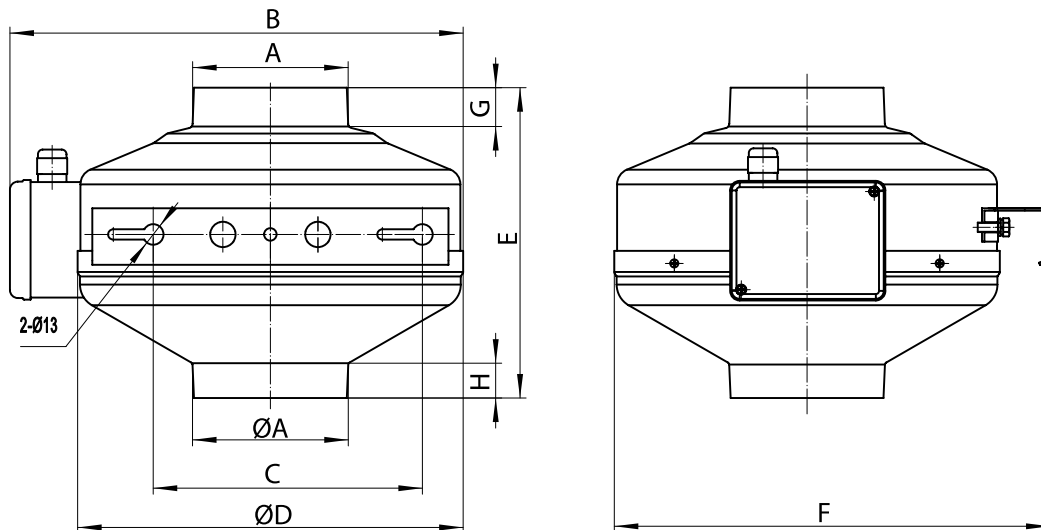
ACOUSTIC DATA



Sound power	
63 Hz	33
125 Hz	35
250 Hz	43
500 Hz	57
1000 Hz	63
2000 Hz	58
4000 Hz	68
8000 Hz	60
TOTAL	71

Sound pressure 1.5m (in)	
63 Hz	19
125 Hz	21
250 Hz	29
500 Hz	43
1000 Hz	49
2000 Hz	44
4000 Hz	54
8000 Hz	46
TOTAL	56

DIMENSIONS



Dimensions (mm)

A	198	B	377	C	170	D	333	E	216
F	365	G	25	H	25				

WIRING DIAGRAM

